

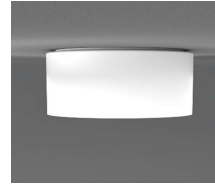
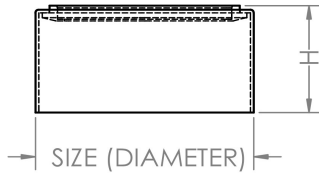
PROJECT: _____

FIXTURE TYPE: _____

QUANTITY: _____

Collar

The Collar by Fluent redefines lighting with a perfect balance of visual comfort, advanced optical control, and a timeless, refined aesthetic.



SPECIFICATION CODE

MODEL/DISTRIBUTION	SIZE (in)	LIGHT SOURCE	VOLTAGE	CCT (K)	CRI	CONTROL	MOUNTING	OPTIONS

EXAMPLE

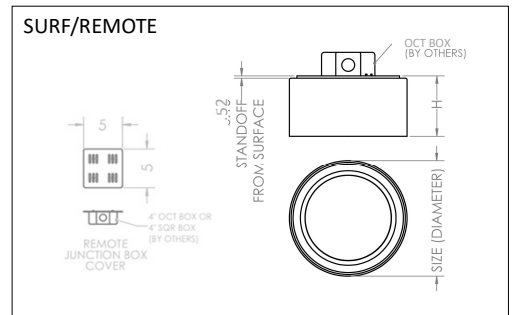
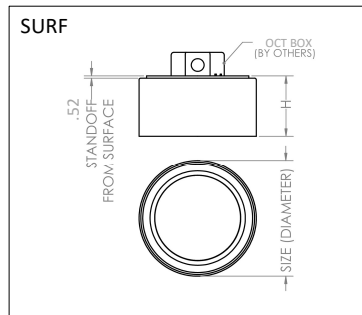
SVC	6.0	HO 14W	120-277	3500	90	DIM0	SURF	
-----	-----	--------	---------	------	----	------	------	--

SVC (Collar with Vertical Distribution)	6.0 (H = 3.6)	M 7W (650lm, 2250 cd/ft ²) H 10W (925lm, 3000 cd/ft ²) HO 14W (1275lm, 4250 cd/ft ²)	120-277	2700 3000 3500 4000 5000	80 (min) 90 (min)	DIM0 (0-10V, 0-100%) PDIM0 (TRIAC, <5-100%, DIM-TO-OFF)	SURF (ceiling or wall, surface mount over junction box (SEE MOUNTING DETAILS ON PAGE 2), integral power supply sits within junction box) SURF/REMOTE (ceiling or wall, surface mount over junction box (SEE MOUNTING DETAILS ON PAGE 2), remote power supply, enclosure cover included)	GP _____ (5" diameter goof plate for 6.5" fixture mounted over recessed 4" octagon junction box, pick finish color: WHT, BLK, or RAL _____) MOD _____ (modification to standard product, feasibility to be verified by factory)
	10.0 (H = 5.6)	L 14W (1325lm, 1500 cd/ft ²) M 19W (1875lm, 2250 cd/ft ²) H 27W (2600lm, 3000 cd/ft ²)	HO 14W (Not available with SURF Mounting, Remote only.)	RAL (pick any color from the RAL color standard, finish will be fine textured unless otherwise specified as a MOD)				

LEGEND LIGHT SOURCE

H 10W (925lm, 3000 cd/ft²)

OUTPUT LEVEL / LOAD / LIGHT OUTPUT / EMITTING SURFACE LUMINANCE, VIEWED PERPENDICULAR TO SURFACE (APPROXIMATE)
 (VALUES SHOWN AT 3500K, 80CRI)



GENERAL SPECIFICATIONS

APPROVAL ETL listed to UL2108 damp location

MIN OPERATING TEMP -20C (-4F)

MAX OPERATING TEMP SURF/REMOTE Mounting: 40C (104F), SURF Mounting: 30C (86F), For HO 14W Light Source with SURF/REMOTE Mounting: 30C (86F)

HOUSING MATERIAL aluminum
 DIFFUSER MATERIAL UV resistant polished acrylic
 MOUNTING BRACKET galvanized steel
 FINISH MATERIAL polyester powder coat

LUMEN MAINTENANCE L70 > 50,000 hrs. (@25°C)

WARRANTY 5 year limited warranty

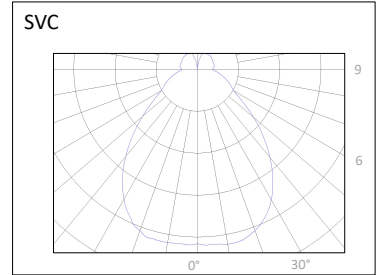
LIGHT SOURCE / PHOTOMETRY

LEDs Cree 2835
 CCT 2700K, 3000K, 3500K, 4000K, 5000K
 COLOR BINNING within 3-step MacAdam ellipse
 CRI 80+ (Ra>80, 25>R9>0), 90+ (Ra>90, 75>R9>50)
 LUMEN MAINTENANCE L70 > 50,000 hrs. (@25°C)

AVAILABLE IES FILES www.fluent-lighting.com

OUTPUT MULTIPLIER Lumen values and photometric files configured at 3500K, 80 CRI. Please use the following multipliers for different color temperatures and CRI values.

	2700K	3000K	3500K	4000K	5000K
80+	.93	.97	1.00	1.03	1.03
90+	.79	.83	.85	.87	.87



CONTROL

DIM0 (0-10V dimming, 0-100%)

TYPE electronic
 DIMMING PROTOCOL 0-10V
 MINIMUM DIM LEVEL 0%
 DIMMING CURVE linear
 POWER FACTOR >0.9
 THD <20%
 INPUT 120-277V AC, 50/60HZ

PDIM0 (TRIAC phase dim, <5-100%, dim-to-off)

TYPE electronic
 DIMMING PROTOCOL TRIAC (and ELV*) phase dimming
 MINIMUM DIM LEVEL <5-100%, dim-to-off
 DIMMING CURVE linear
 POWER FACTOR >0.9
 THD <20%
 INPUT 120 AC, 50/60HZ

REMOTE DISTANCES Specific to each lamping/driver combination and can be 100'+, consult factory for specifics.

Worst case distance: 18ga wire - 15', 16ga wire - 25', 14ga wire - 40', 12ga wire - 60'

MAINTENANCE All drivers are field replaceable.

ALTERNATIVE CONTROLS Contact factory for additional control options.

APPROVED DIMMERS

DIM0

(Approved Dimmers: Lutron NTSTV-DV, Lutron NFTV, Leviton IP710 DL, Watt Stopper ADF 120277)

PDIM0

(Approved Dimmers: Leviton 6674, Leviton 6684, Leviton RPI06, Leviton IPI06, Lutron NTLV-600, Lutron DV-103P, Lutron Skylark S-600P, Lutron DVCL-1539)

*ELV trailing edge dimming is only supported on fixture models 6.5-M 7W and 6.5-H 10W. (Approved ELV dimmer: Leviton 6615)

MOUNTING

SURF (SURFACE) MOUNTING DETAILS

SIZE (in)	WEIGHT	DRIVER VOLUME (within j-box)	MOUNTS TO
6.0	4 LBS	5.0 cu. in.	directly to 3.5" oct j-box, 3.5" ceiling pan/box (2.75" ears), or 4" oct j-box (SEE NOTES)
10.0	8 LBS	7.0 cu. in.	directly to 4" oct j-box, or 4" ceiling pan/box (3.5" ears)

NOTES Ceiling or wall applications. Integral power supply is attached to mounting plate and sits within j-box. Driver volume includes splice compartment for driver-to-luminaire connection.

For fixtures with remote power supplies, an additional cover plate is supplied to mount remote power supply within second, remote 4" oct j-box (by others) or 4" sqr box (by others). For alternative lampings, contact factory for enclosure sizes and options.

For 6.5" size only using 4" octagonal j-box:

Fixture should use goof plate if mounting to recessed 4" octagonal j-box. No goof plate needed if mounted to exposed work 4" octagonal j-box.

OPTIONS

GP (GOOF PLATE) DETAILS

NOTES 5" diameter goof plate to be used for 6.5" fixture mounted over recessed 4" octagonal j-box. No goof plate is needed to mount to exposed work 4" octagonal j-box. Goof plate is standard with WHT, BLK, or RAL powder coat finish.